

## Pool Breakdown

# Tahitian 27' Round – 54”

**NB1203**

(mfr. Name – Escalade)

<b><u>FEATURES:</u></b> Round Size: 27' Depth: 54” 60 Year Warranty	<b><u>STRUCTURE COMPOSITION:</u></b> Resin Top rails Wall pattern printed uprights Painted steel bottom rails Steel-square stabilizers
---	--

	Qty	Carton #	Carton Content Description
<input type="checkbox"/>	1	CRESC*C27-PSAR1	ESCALADE – STABILIZER-STEEL, STEEL BOTTOM RAIL, PLASTIC COPING, BOTTOM PLATES, TOP COVERS, TOP PLATES
<input type="checkbox"/>	1	CRESCTR-18R	ESCALADE – TOP RAILS – RESIN
<input type="checkbox"/>	1	CRESCUW54-18	ESCALADE – 54” UPRIGHTS, CURVED SIDE-PRINTED
<input type="checkbox"/>	1	WWDF54S-WMB27-979	WALL- WINDRIFT 54 STL WM BRITE

**Carton Breakdown**  
**TAHITIAN 27' ROUND – 54"**  
 NB1203

**FRAME CARTON # CRESC\*C27-PSAR1**

Key	QTY	Item #	Mfg Part #	Description
1	20	NBP3147	15360	Inner Stabilizer
2	18	NBP3152	15640	Bottom Rail
3	18	NBP3116	14439	Top Plate
4	18	NBP3115	14438	Bottom Plate
7	21	NBP3078	10296	Coping
8	18	NBP3120	14443	Upright Boot
9	18	NBP3119	14442	Top Cover Inner
10	18	NBP3117	14440	Top Cover
---	1	NBP3139	10182	HDW SS 24'
---	1	-----	95-0007	Envelope Safety Stickers
---	1	-----	95-0443	Round Instructions

**FRAME CARTON # CRESCTR-18R**

6	18	NBP3135	20977	Top Rail
---	1	NBP3130	19083	Hdw SS TR Resin
---	1	-----	12571	Warranty

**FRAME CARTON # CRESCUW54-18**

5	18	NBP3136	21444	Upright
---	----	---------	-------	---------

**WALL CARTON # WWDF54S-WMB27-979**

25	2	NBP3192	17636	Wall Bar*
---	1	NBP3170	10607	Hdw SS # 36 Bolt Set
---	1	NBP3171	19594	WS PANEL SS BRITE 53.5" X 43"
---	1	-----	WWDF54S	WINDRIFT - WALL FOR 54"

\*pools with more than 40 holes in the wall will not include the wall bar – it is not necessary for installation of these pools.

# Carton Breakdown

## TAHITIAN 27' ROUND – 54"

**NB1203**

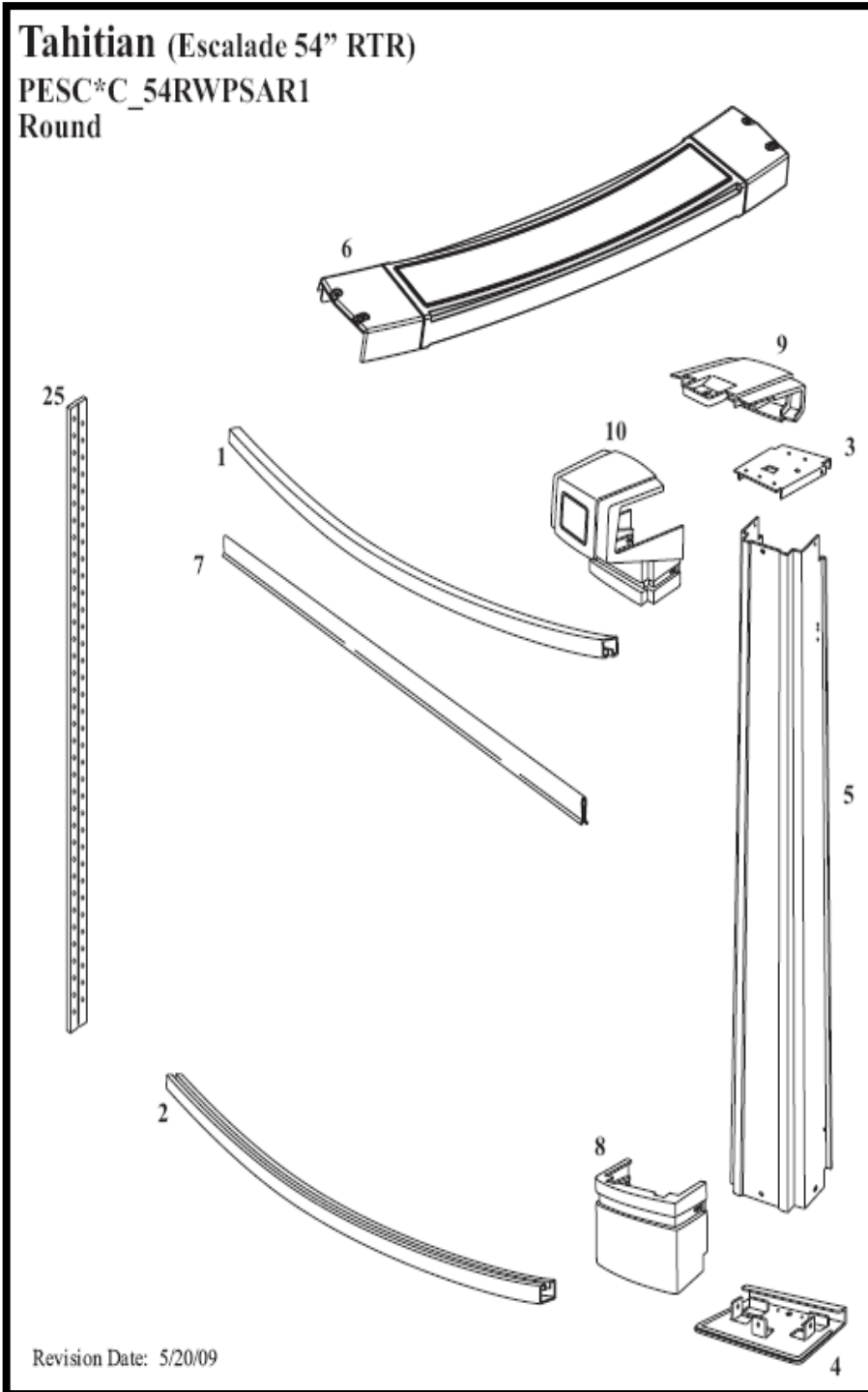
(mfr. Name – Escalade)

**Tahitian (Escalade 54" RTR)**

PESC\*C\_54RWPSAR1

Round

Key #	Part Description
1	Inner Stabilizer
2	Bottom Rail
3	Top Plate
4	Bottom Plate
5	Upright
6	Top Rail
7	Coping
8	Upright Boot
9	Top Cover- Inner
10	Top Cover
25	Wall Bar



Revision Date: 5/20/09